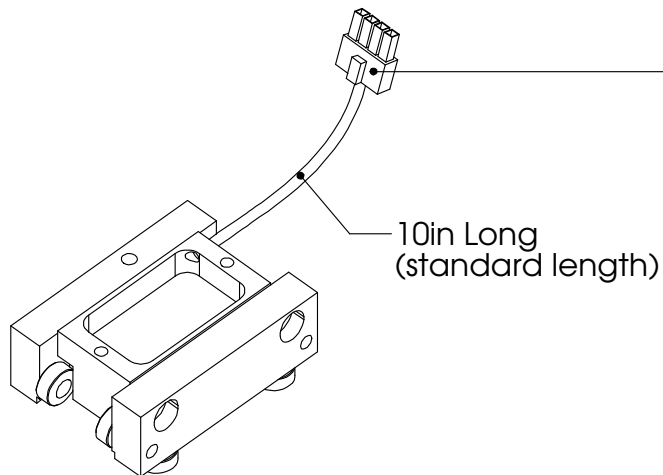
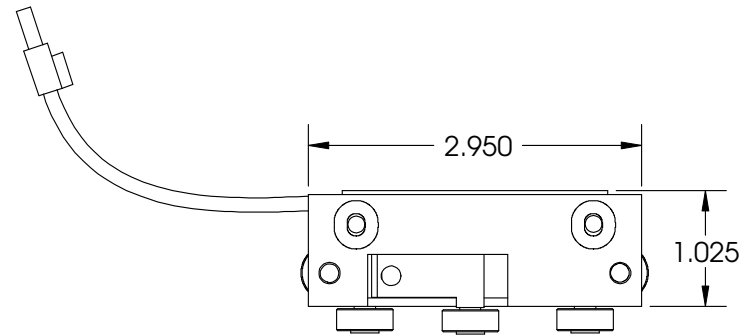
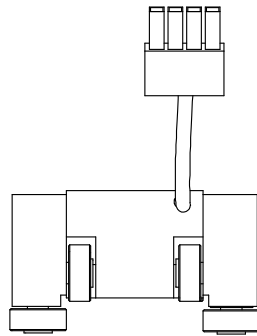
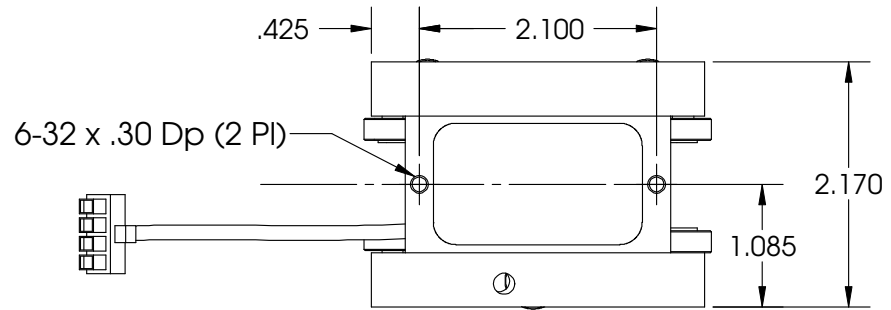




株式会社 テクノドライブ



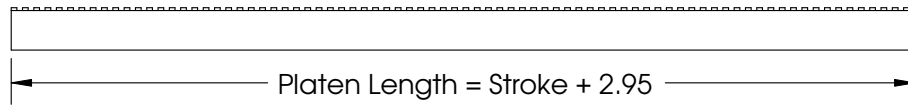
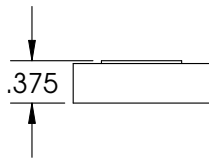
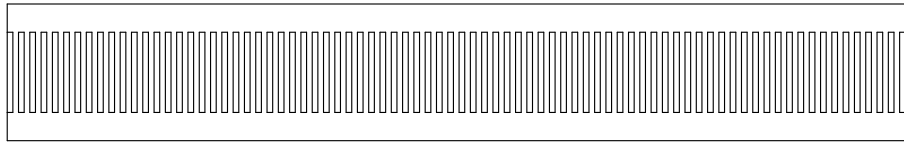
Motor Power Connector  
P/N: Molex 39-01-4041

Lead Color	Function
Yellow	A+
White	A-
Red	B+
Black	B-

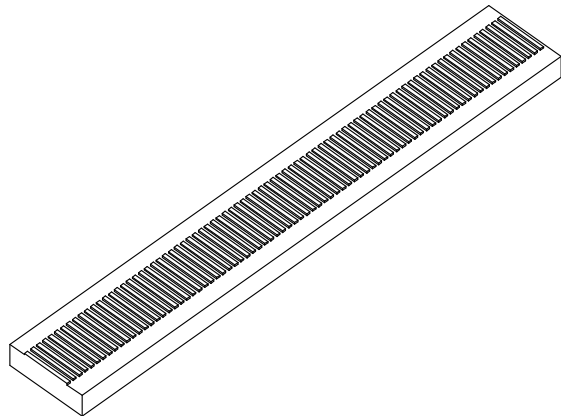
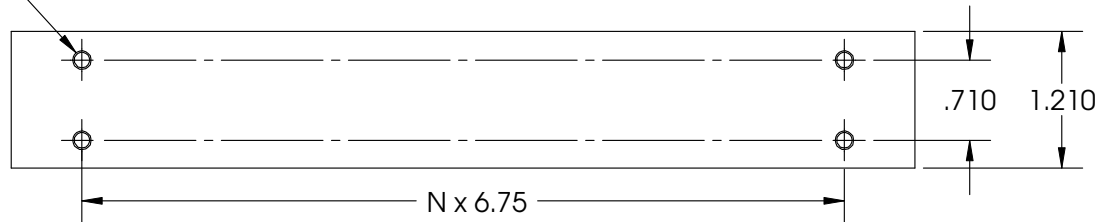
**Forcer Model # STS-0213-R**

Mates with Molex P/N: 39-01-4046

UNLESS SPECIFIED OTHERWISE: All dimensions are in inches Standard Tolerances are as follows XXX ±.005 ANGLES ±1° XX ±.010 FILLETS .010 X ±.020 CORNERS .010 Remove All Burs and Sharp Edges				MATERIAL		TITLE	
				FINISH		2lb Linear Stepper Motor	
DRAWN OOG	DATE 8-1-10	APPROVED MPW	DATE 8-1-10	DWG#	REV	SHEET	1 of 4
				10-0463	---		



8-32 x .20 Dp



**Platen Model # STP-13-XXX-R**

TITLE  
**2lb Linear Stepper Motor**

XXX = Platen Length in inches

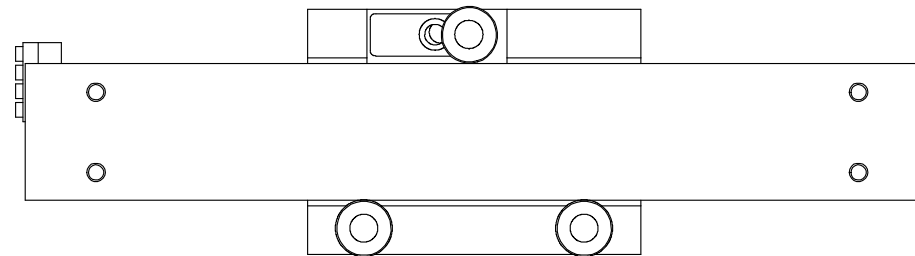
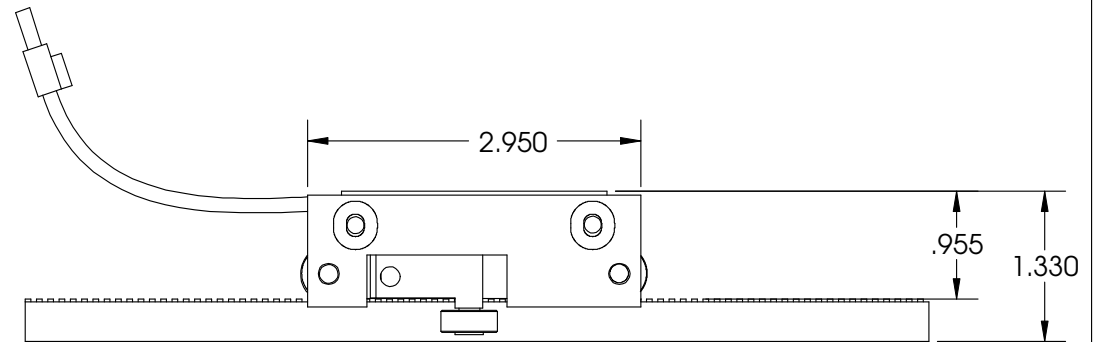
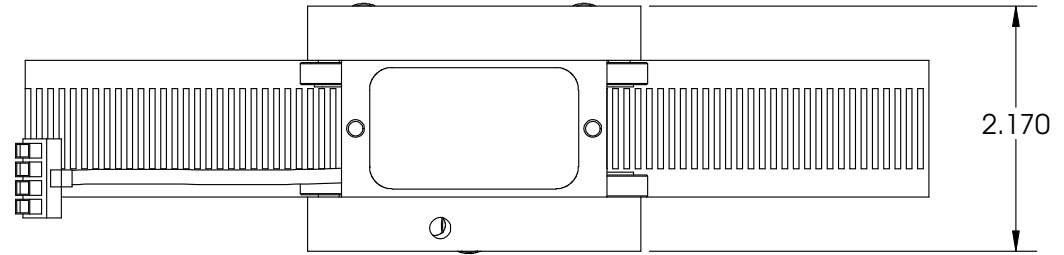
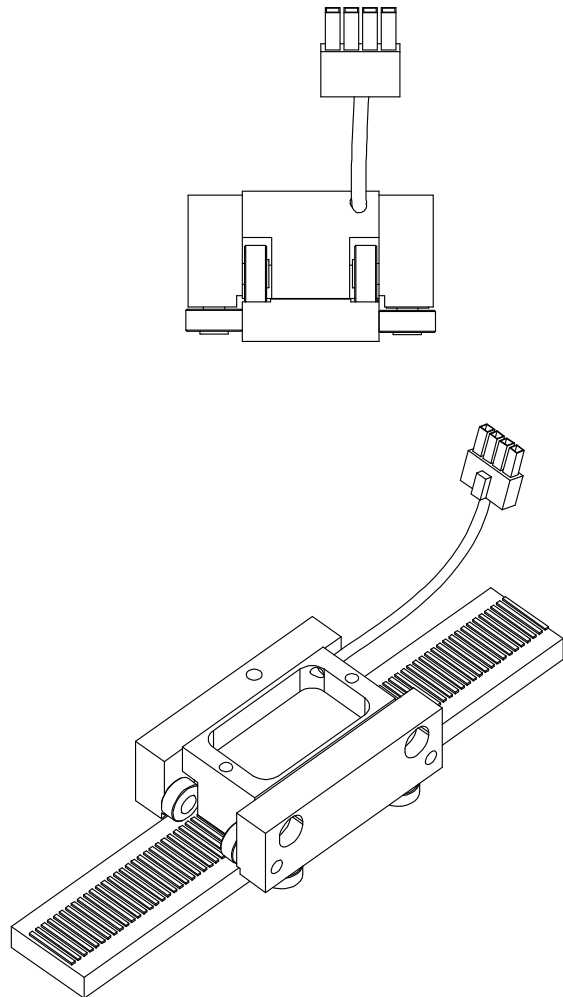
DWG# **10-0463**

REV ---

SHEET  
2 of 4



株式会社 テクノドライブ



Forcer Mounted on Platen

TITLE		
2lb Linear Stepper Motor		
DWG #	REV	SHEET
10-0463	---	3 of 4



LINEAR STEPPER MOTOR SPECIFICATIONS		
Motor P/N	STS-0213-R	
Continuous Force	2.30 LBS	10.22 N
Rated Current	1.0 Amp	
Resistance/Phase @ 20C	0.85 ohms	
Inductance/Phase @ 20C	2.15 mH	
Motor Phases	2	
Bearing Type	Roller Bearing	
Nominal Airgap	0.0015"	
Motor Mass	8.1 oz	230 grams

TITLE	<b>2lb Linear Stepper Motor</b>				
DWG#	<b>10-0463</b>	REV	---	SHEET	4 of 4