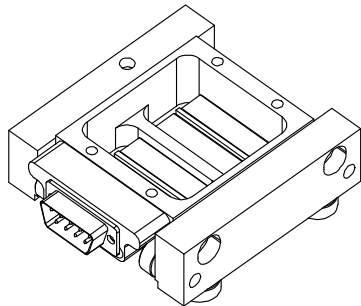


Motor Power Connector



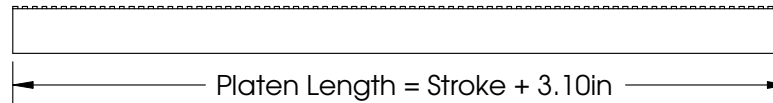
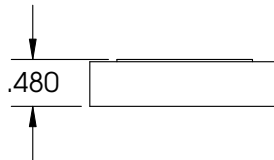
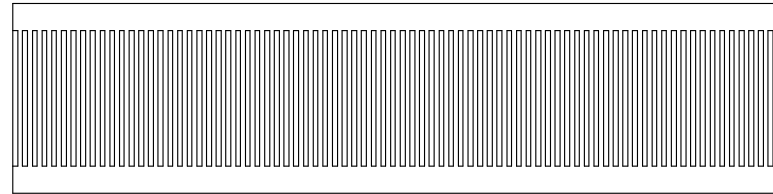
9-PIN D-Sub Male	
Pin	Function
1	A+
2	N/C
3	B+
4	N/C
5	Ground
6	N/C
7	A-
8	N/C
9	B-

Forcer Model # STS-0620-R

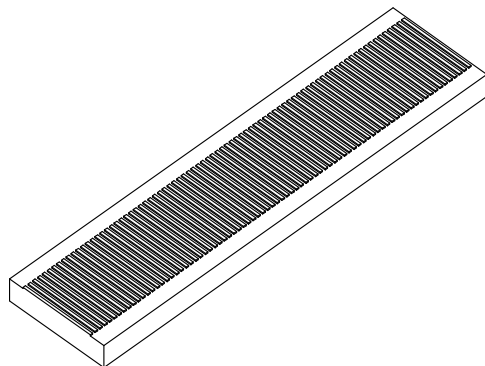
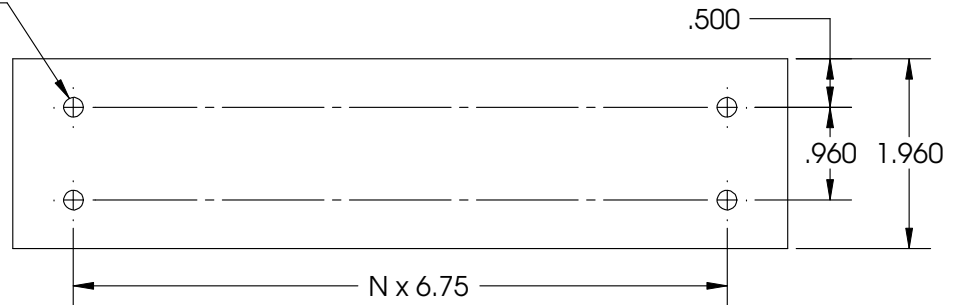
<small>UNLESS SPECIFIED OTHERWISE: All dimensions are in inches Standard Tolerances are as follows XXX ±.005 ANGLES ±1° XX ±.010 FILLETS .010 X ±.020 CORNERS .010 Remove All Burs and Sharp Edges</small>				MATERIAL		TITLE 6lb Linear Stepper Motor	
				FINISH			
DRAWN OOG	DATE 8-1-10	APPROVED MPW	DATE 8-1-10	DWG # 10-0461	REV ---	SHEET 1 of 4	



株式会社 テクノドライブ



10-32 x .20 Dp



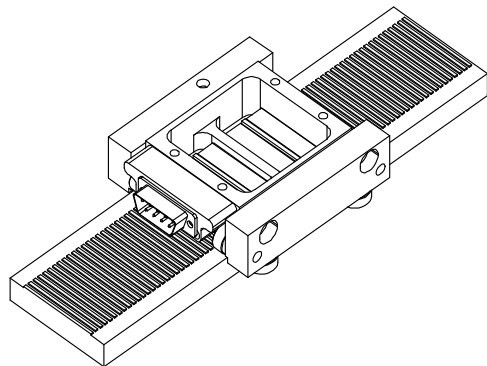
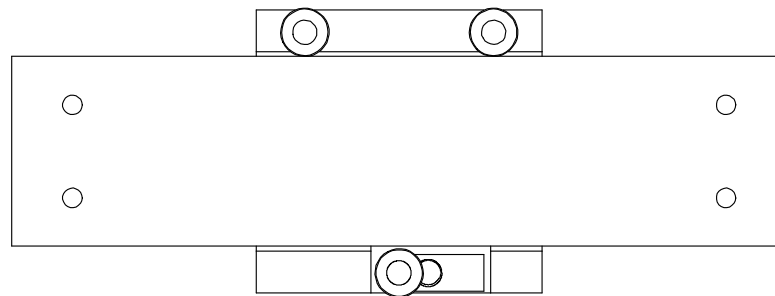
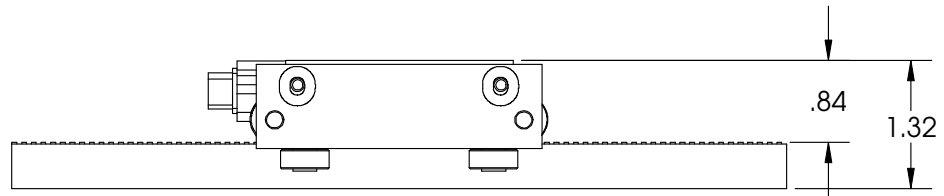
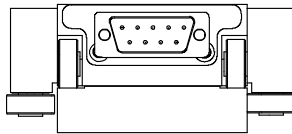
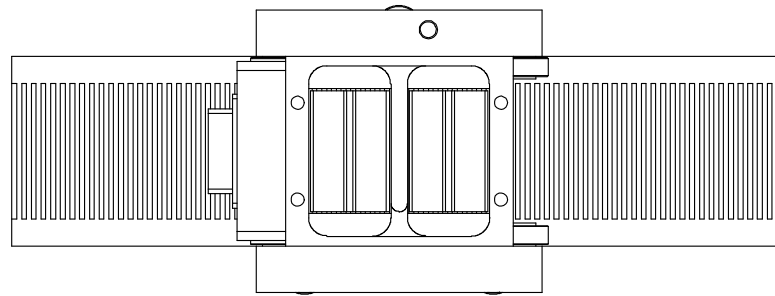
Platen Model # STP-20-XXX-R

TITLE		
6lb Linear Stepper Motor		
DWG #	REV	SHEET
10-0461	---	2 of 4

XXX = Platen Length in inches



株式会社 テクノドライブ



Forcer Mounted on Platen

TITLE		
6lb Linear Stepper Motor		
DWG #	REV	SHEET
10-0461	---	3 of 4



LINEAR STEPPER MOTOR SPECIFICATIONS		
Motor P/N	STS-0620-R	
Continuous Force	6.0 lbs	26.7 N
Rated Current	2.0 Amp	
Resistance/Phase @ 20C	2.40 ohms	
Inductance/Phase @ 20C	3.0 mH	
Motor Phases	2	
Bearing Type	Roller Bearing	
Nominal Airgap	0.0015"	
Motor Mass	9.8 oz	279 grams
Platen Mass	0.28 lbs/in	1.24N/in

TITLE		
6lb Linear Stepper Motor		
DWG#	REV	SHEET
10-0461	---	4 of 4