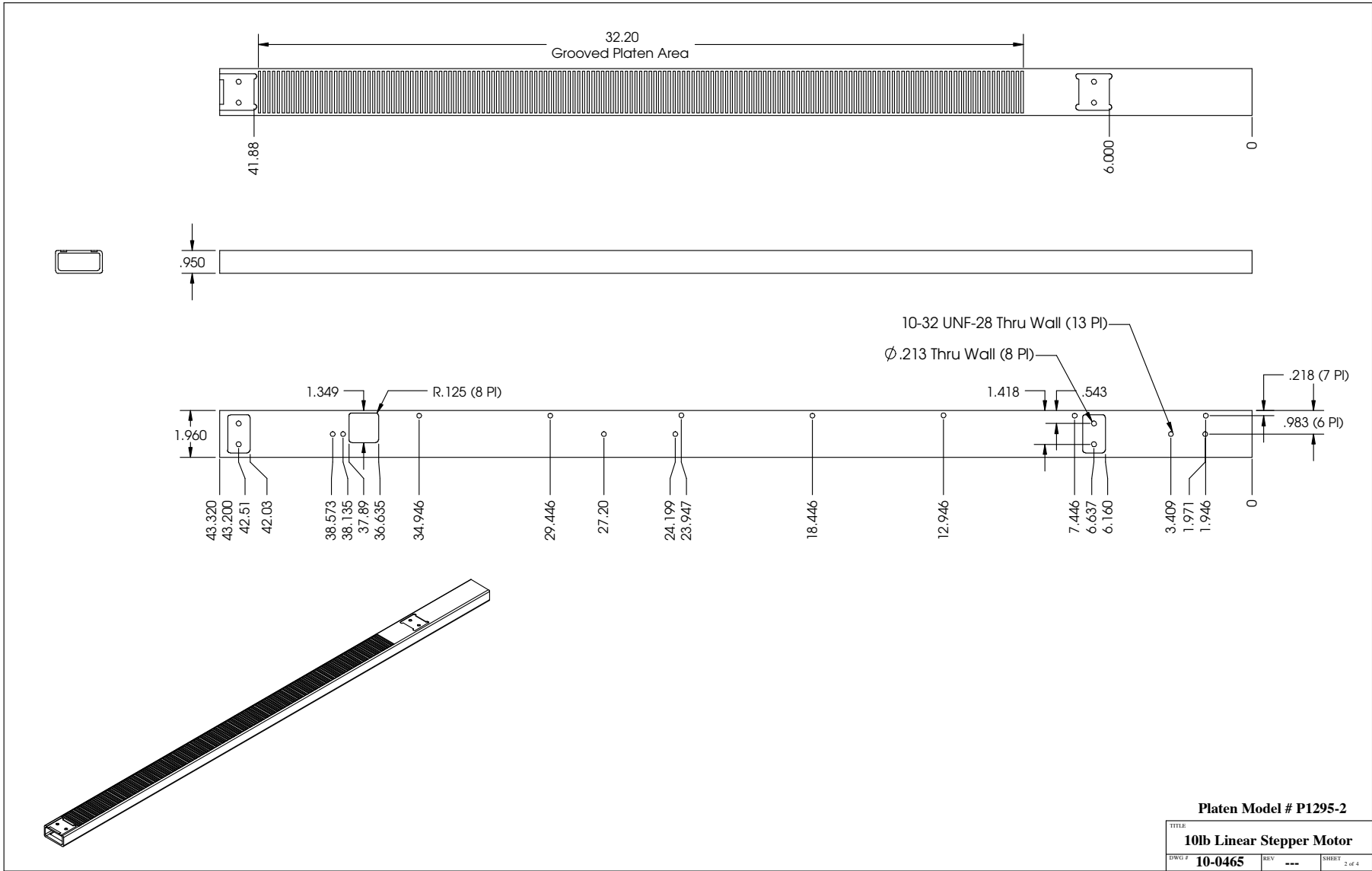


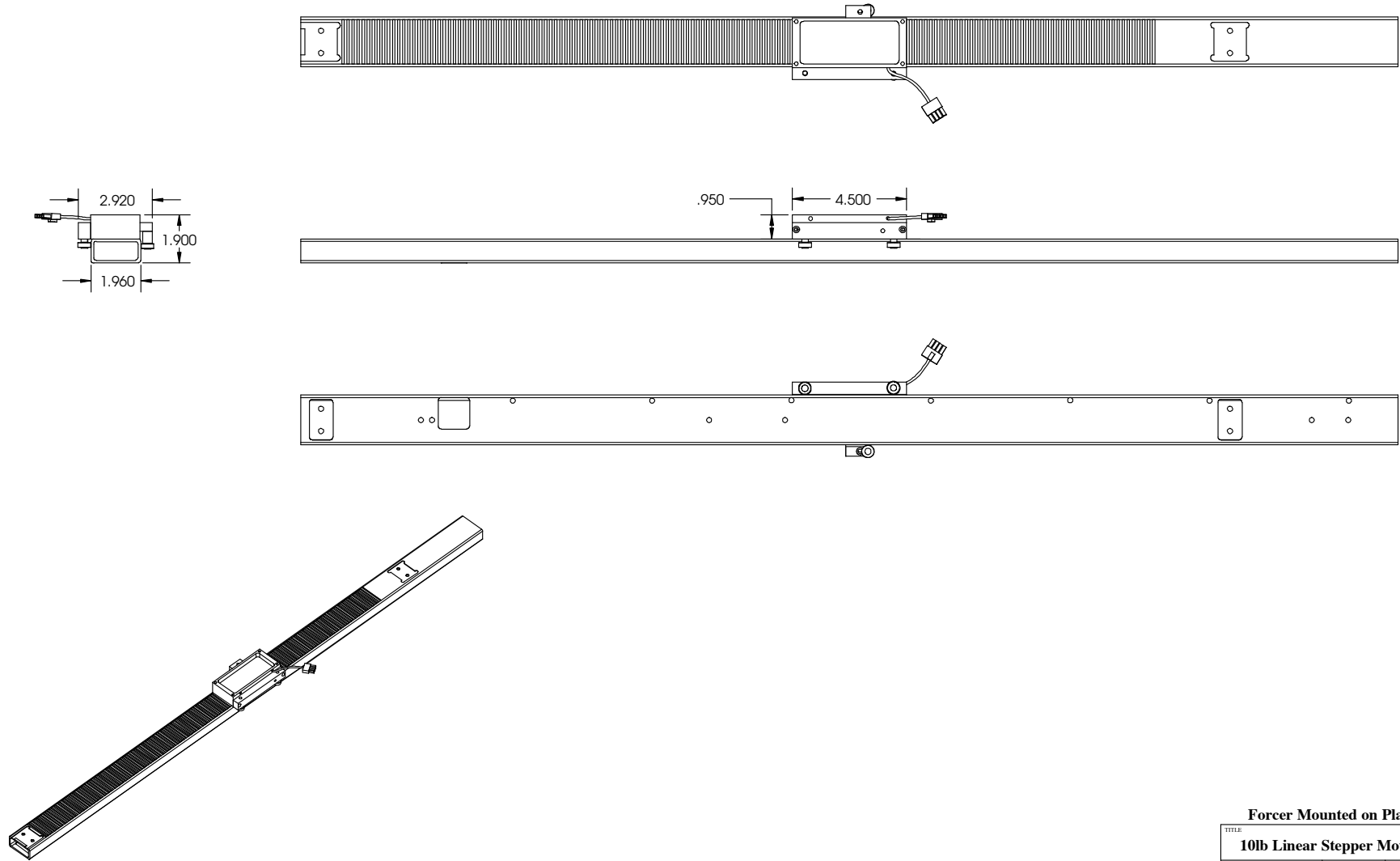
Lead Color	Function
Red	A+
White	A-
Orange	B+
Green	B-

Mates with Molex P/N: 39-01-4046

**Forcer Model # STS-1220-AP1**

UNLESS SPECIFIED OTHERWISE: All dimensions are in inches. Standard Tolerances are as follows: XXX ±.010 ANGLES ±.1° XX ±.010 FILLETS AND X ±.020 CORNERS .010 Remove All Burs and Sharp Edges		MATERIAL	TITLE	
FINISH		10lb Linear Stepper Motor		
DRAWN	DATE	APPROVED	DATE	DWG #
OOG	8-1-10	FGW	8-1-10	10-0465
REV		---		
SHEET		1 of 4		





**Forcer Mounted on Platen**

TITLE		
<b>10lb Linear Stepper Motor</b>		
DWG #	REV	SHEET
<b>10-0465</b>	---	3 of 4

LINEAR STEPPER MOTOR SPECIFICATIONS		
Motor P/N	STS-1220-AP1	
Continuous Force	11.0 LBS	48.8 N
Rated Current/Phase	4.0 Amp	
Resistance/Phase @ 20C	1.15 ohms	
Inductance/Phase @ 20C	1.30 mH	
Motor Phases	2	
Bearing Type	Air Bearing	
Nominal Air Pressure	60 psi	
Motor Mass	14.8 oz	419 grams