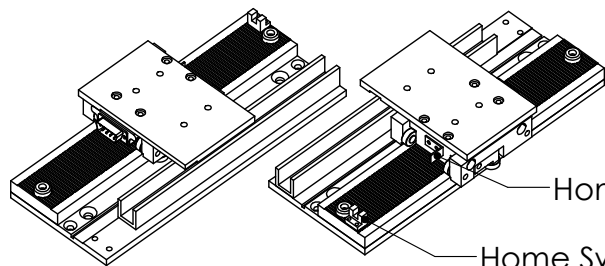
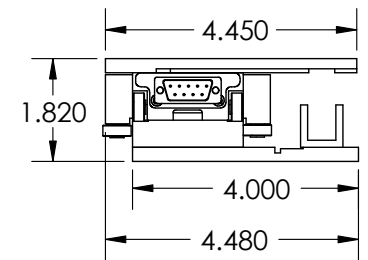
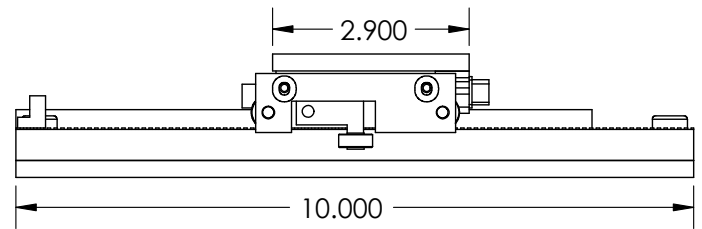
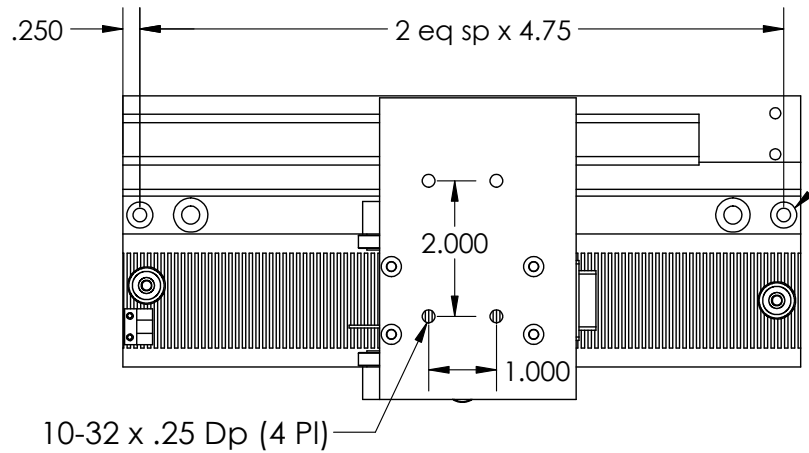




株式会社 テクノドライブ



Home Switch Blade

Home Switch

UNLESS SPECIFIED OTHERWISE:  
 All dimensions are in inches  
 Standard Tolerances are as follows  
 .XXX ±.005 ANGLES ±1°  
 .XX ±.010 FILLETS .010  
 .X ±.020 CORNERS .010  
 Remove All Burrs and Sharp Edges

MATERIAL			
FINISH			
DRAWN	DATE	APPROVED	DATE
OOG	6-10-11	MPW	6-10-11

TITLE			
LSS-006-04-06			
DWG #	REV	SHEET	
10-0522	---	1 of 1	



<b>LINEAR STEPPER STAGE SPECIFICATIONS</b>		
Motor P/N	STS-0620-R	
Continuous Force	6.0 lbs	26.7 N
Stroke	6in	152mm
Encoder Resolution	NONE	
Rated Current	2.0 Amp	
Resistance/Phase @ 20C	2.40 ohms	
Inductance/Phase @ 20C	3.0 mH	
Motor Phases	2	
Bearing Type	Roller Bearing	
Nominal Airgap	0.0015"	
Motor Mass	9.8 oz	279 grams
Platen Mass	2.50 lbs	1.14 kg

TITLE		
<b>LSS-006-04-06</b>		
DWG #	REV	SHEET
<b>10-0522</b>	---	2 of 2