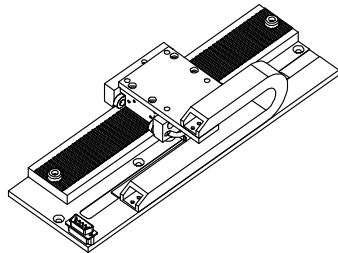
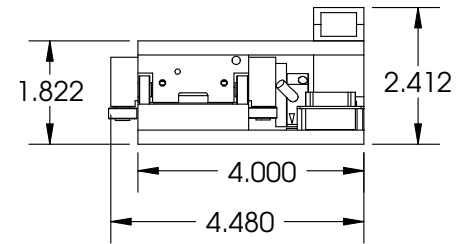
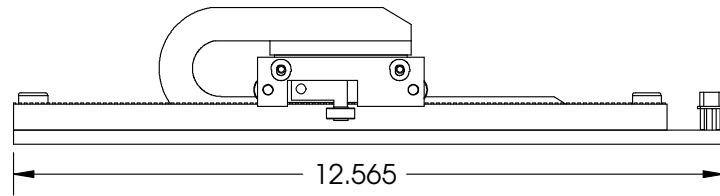
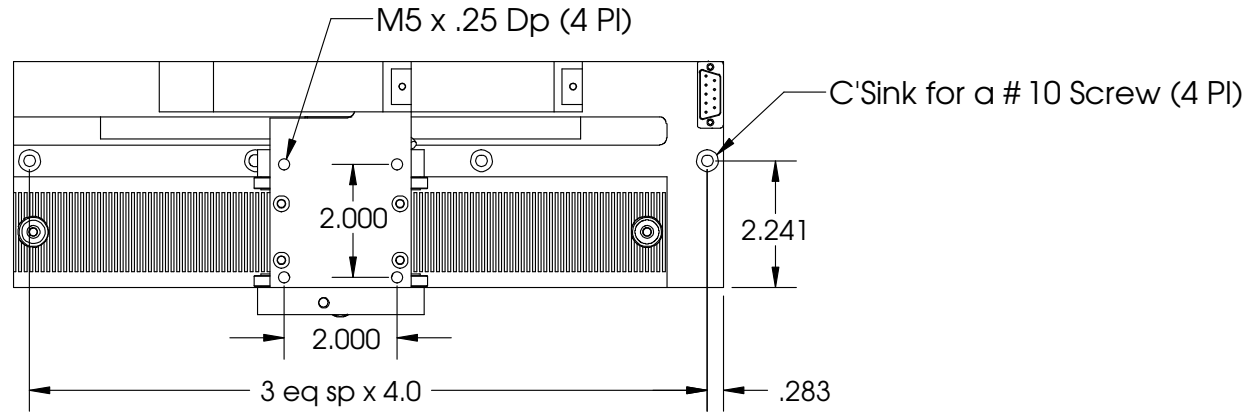




株式会社 テクノドライブ



| | | | | | | | | |
|--|---------|----------|---------|----------------|-----|--------------------------|--|--|
| UNLESS SPECIFIED OTHERWISE: All dimensions are in inches Standard Tolerances are as follows XXX ±.005 ANGLES ±1° XX ±.010 FILLETS .010 X ±.020 CORNERS .010 Remove All Burrs and Sharp Edges | | | | MATERIAL | | TITLE | | |
| | | | | FINISH | | LSS-008-04-006-ME | | |
| DRAWN | DATE | APPROVED | DATE | DWG# | REV | SHEET | | |
| OOG | 3-31-11 | MPW | 3-31-11 | 10-0501 | --- | 1 of 1 | | |



| LINEAR STEPPER STAGE SPECIFICATIONS | | |
|--|----------------|-----------|
| Motor P/N | STS-0620-R | |
| Continuous Force | 6.0 lbs | 26.7 N |
| Stroke | 8in | 203mm |
| Encoder Resolution | 1 micron | |
| Rated Current | 2.0 Amp | |
| Resistance/Phase @ 20C | 2.40 ohms | |
| Inductance/Phase @ 20C | 3.0 mH | |
| Motor Phases | 2 | |
| Bearing Type | Roller Bearing | |
| Nominal Airgap | 0.0015" | |
| Motor Mass | 9.8 oz | 279 grams |
| Platen Mass | 0.28 lbs/in | 1.24N/in |

| | | |
|--------------------------|-----|--------|
| TITLE | | |
| LSS-008-04-006-ME | | |
| DWG # | REV | SHEET |
| 10-0501 | --- | 2 of 2 |