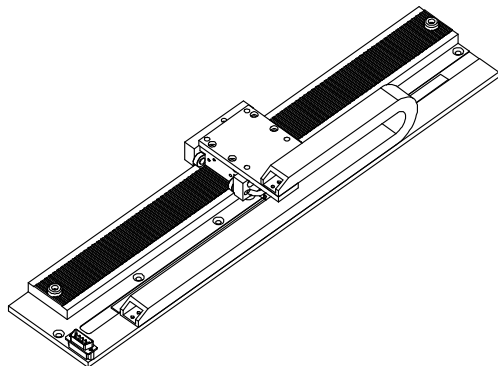
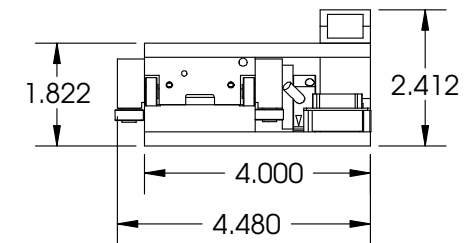
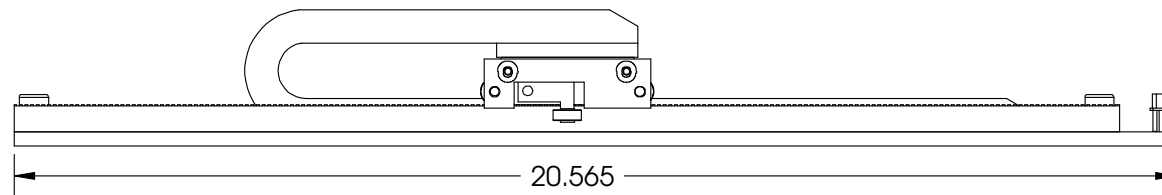
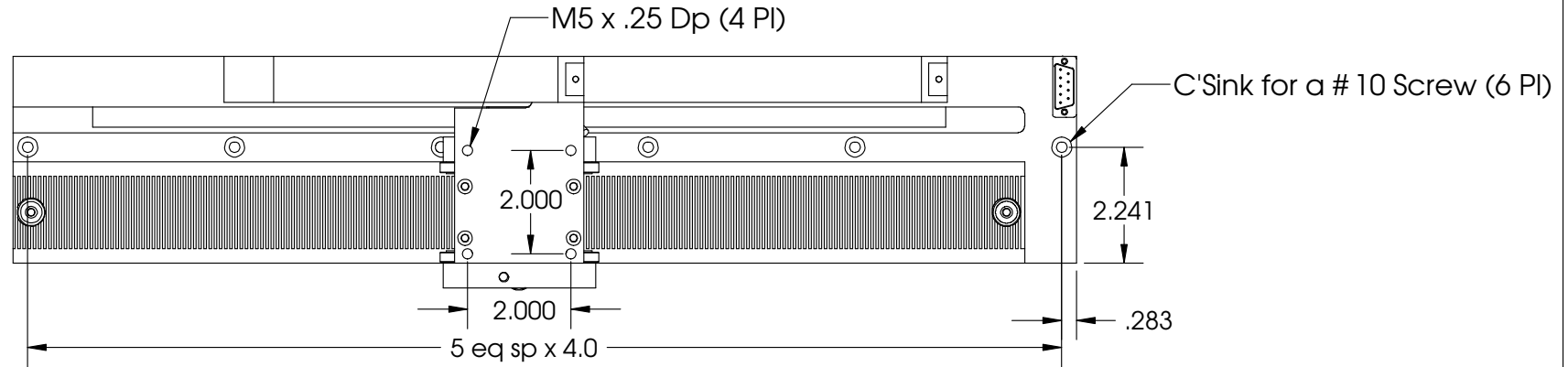




株式会社 テクノドライブ



UNLESS SPECIFIED OTHERWISE: All dimensions are in inches Standard tolerances are as follows XXX ±.005 ANGLES ±1° XX ±.010 FILLETS .010 X ±.020 CORNERS .010 Remove All Burrs and Sharp Edges				MATERIAL		TITLE		
				FINISH		LSS-016-04-006-ME		
DRAWN	DATE	APPROVED	DATE	DWG#	REV	SHEET		
OOG	3-31-11	MPW	3-31-11	10-0502	---	1 of 1		



LINEAR STEPPER STAGE SPECIFICATIONS		
Motor P/N	STS-0620-R	
Continuous Force	6.0 lbs	26.7 N
Stroke	16in	406mm
Encoder Resolution	1 micron	
Rated Current	2.0 Amp	
Resistance/Phase @ 20C	2.40 ohms	
Inductance/Phase @ 20C	3.0 mH	
Motor Phases	2	
Bearing Type	Roller Bearing	
Nominal Airgap	0.0015"	
Motor Mass	9.8 oz	279 grams
Platen Mass	0.28 lbs/in	1.24N/in

TITLE		
LSS-016-04-006-ME		
DWG#	REV	SHEET
10-0502	---	2 of 2