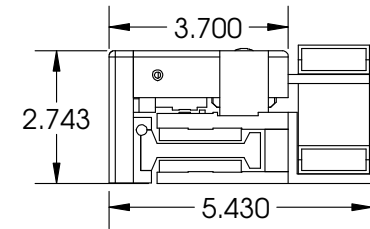
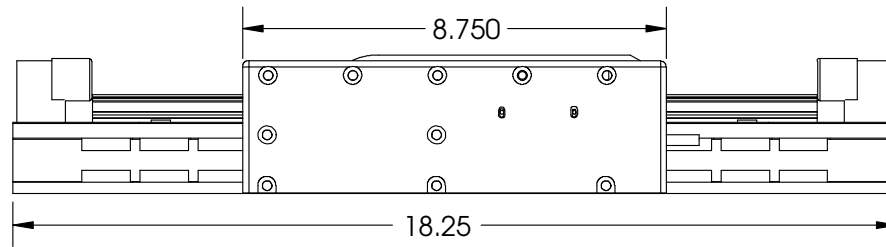
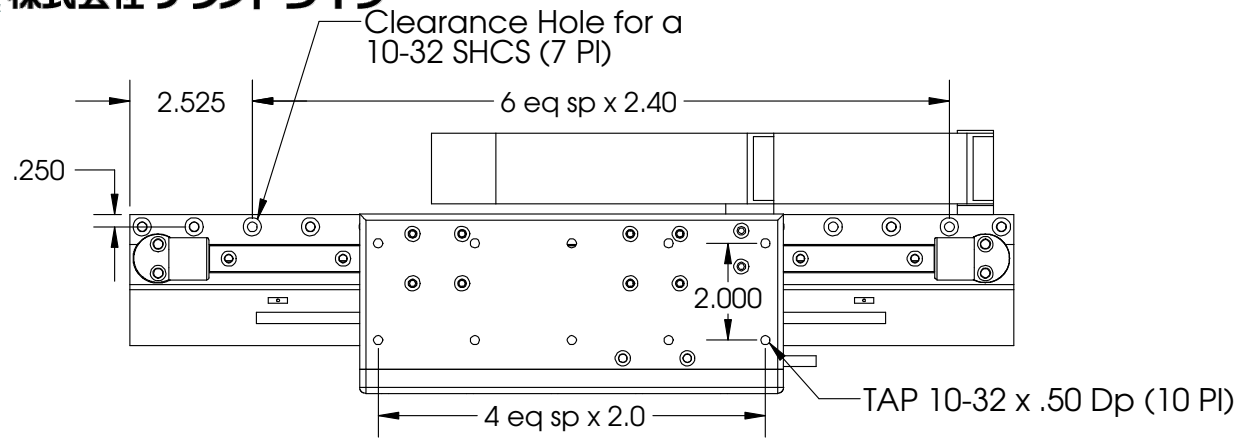
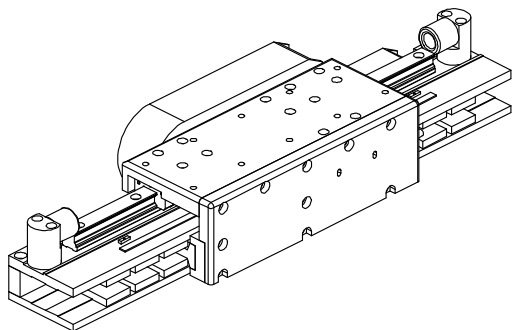




株式会社 テクノドライブ



Axis Shown at Mid-Stroke



UNLESS SPECIFIED OTHERWISE:
 All dimensions are in inches
 Standard Tolerances are as follows
 .XXX ±.005 ANGLES ±1°
 .XX ±.010 FILLETS .010
 .X ±.020 CORNERS .010
 Remove All Burs and Sharp Edges

MATERIAL		DATE		DATE	
FINISH		6-10-11		6-10-11	
DRAWN	DATE	APPROVED	DATE	DWG #	REV
OOG	6-10-11	MPW	6-10-11	40-0218	---

TITLE		
Single Rail Positioning Stage Model #: SRS-006-04-03A		
DWG #	REV	SHEET
40-0218	---	1 of 2



SINGLE RAIL POSITIONING STAGE SPECIFICATIONS		
Motor P/N	BLDC-3A-NC-WD7S	
Stroke	6.00"	152.4 mm
Encoder Resolution	1 micron	
Bearing Type	Recirculating Ball	
Moving Mass	5.0 lbs	2.3 Kg
Total Mass	18.0 lbs	8.2 Kg
Resistance @ 20C	12.9 ohms	
Inductance @ 20C	9.0 mH	
Electrical Time Constant	0.7 msec	
Motor Constant	0.85 LBS/SQRT(Watt)	3.78 N/SQRT(Watt)
Force Constant	2.6 LBS/Amp	11.57 N/Amp
Back EMF	1.2 V/ips	47.2 V/m/sec
Continuous Force	30.1 LBS	10.2 N
Max Power @ 100% Duty	135 Watts	
Peak Force	90.3 LBS	30.7 N
Max Power @ 10% Duty	1215 Watts	

TITLE		
Single Rail Positioning Stage Model #: SRS-006-04-03A		
DWG #	40-0218	REV --- SHEET 2 of 2