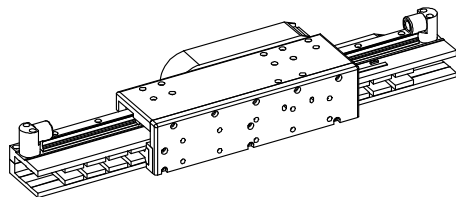
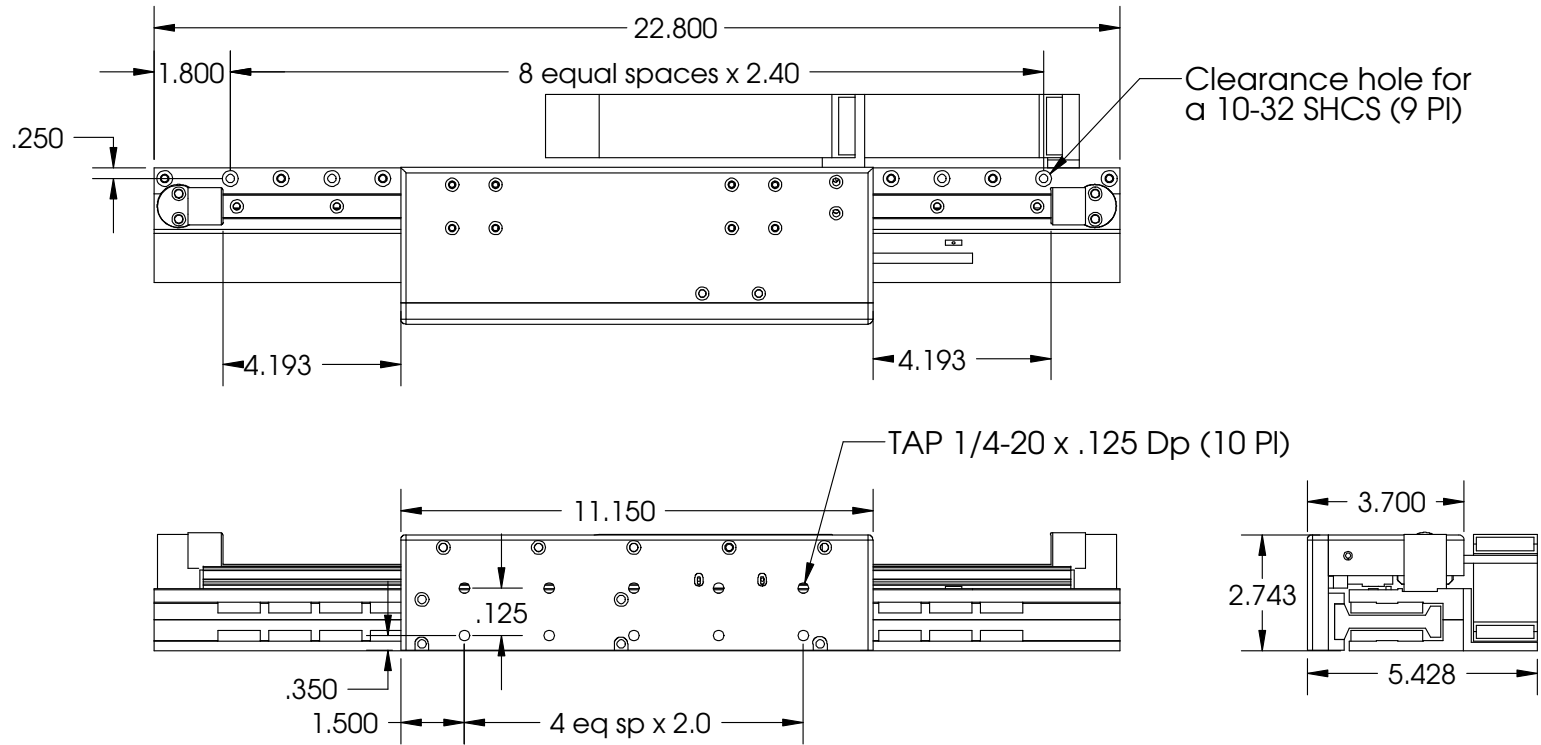




株式会社 テクノドライブ



UNLESS SPECIFIED OTHERWISE:
All dimensions are in inches
Standard Tolerances are as follows
XXX ±.005 ANGLES ±1°
XX ±.010 FILLETS .010
X ±.020 CORNERS .010
Remove All Burs and Sharp Edges

MATERIAL			
FINISH			
DRAWN	DATE	APPROVED	DATE
OOG	10-6-05	MPW	10-6-05

TITLE		
Single Rail Positioning Stage Model #: SRS-008-04-040A		
DWG #	REV	SHEET
40-0120	A	1 of 2



SINGLE RAIL POSITIONING STAGE SPECIFICATIONS		
Motor P/N	BLDC-4A-NC-WD7S	
Stroke	8.40"	213.4 mm
Encoder Resolution	1 micron	
Bearing Type	Linear Bearing	
Moving Mass	4.75 lbs	2.1 Kg
Total Mass	23 lbs	10.2 Kg
Resistance @ 25C	16.1 ohms	
Inductance @ 25C	12.0 mH	
Electrical Time Constant	0.7 msec	
Motor Constant	3.00 LBS/SQRT(Watt)	13.34 N/SQRT(Watt)
Force Constant	12.3 LBS/A Peak	54.7 N/A Peak
Back EMF	1.60 V/ips	63.0 V/m/sec
Continuous Force	40.0 LBS	17.8 N
Max Power @ 100% Duty	179 Watts	
Peak Force	120 LBS	53.3 N
Max Power @ 10% Duty	1611 Watts	

TITLE Single Rail Positioning Stage Model #: SRS-008-04-040A		
DWG# 40-0120	REV ---	SHEET 2 of 2