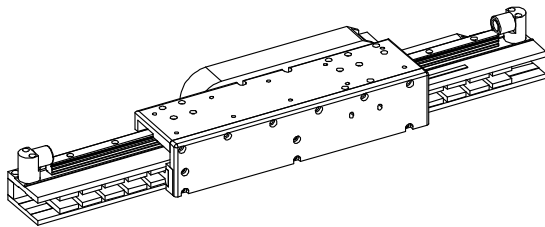
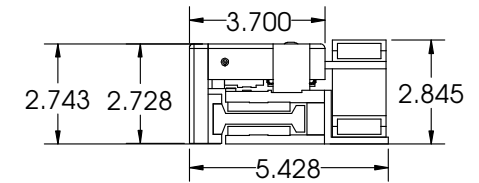
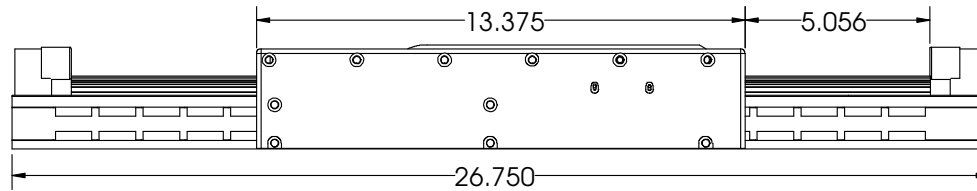
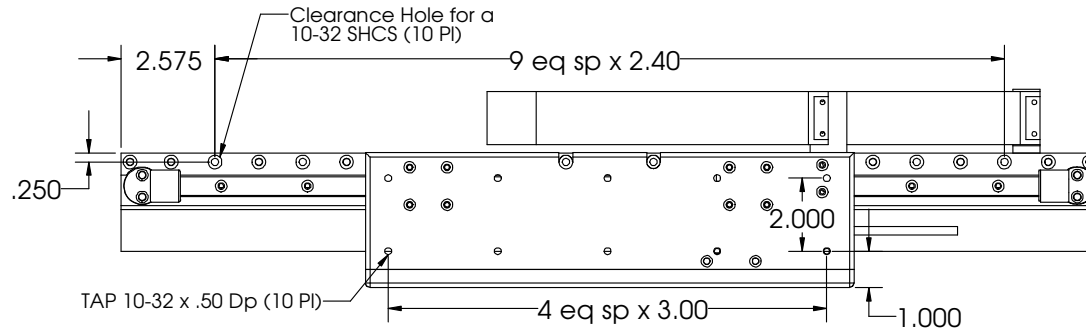


Customer	Medtronic, Inc.
PO#	4300140433
H2W SO#	202702
P/N	SRS-010-04-050-01
Approval Signature	



UNLESS SPECIFIED OTHERWISE: All dimensions are in inches. Standard Tolerances are as follows: XX .005 ANGLES ±1 XX .010 FILLETS AND X .010 CORNERS 010 Remove All Burrs and Sharp Edges		MATERIAL		TITLE	
FINISH		Single Rail Positioning Stage		Model #: SRS-010-04-050-01	
DRAWN	DATE	APPROVED	DATE	DWG #	REV
OGG	1.14.12	MPW	1.14.12	40-0230	---
					SHEET
					1 of 1

SINGLE RAIL POSITIONING STAGE SPECIFICATIONS		
Motor P/N	BLDC-5A-NC-WD7S	
Stroke	4.0"	101.6 mm
Encoder Resolution	1 micron	
Bearing Type	Linear Bearing	
Moving Mass	7.0 lbs	3.2 Kg
Total Mass	20 lbs	9.1 Kg
Resistance @ 25C	20.2 ohms	
Inductance @ 25C	15.0 mH	
Electrical Time Constant	0.7 msec	
Motor Constant	3.36 LBS/SQRT(Watt)	14.95 N/SQRT(Watt)
Force Constant	15.3 LBS/A Peak	68.1 N/A Peak
Back EMF	2.0 V/ips	78.7 V/m/sec
Continuous Force	50.0 LBS	22.25 N
Max Power @ 100% Duty	215 Watts	
Peak Force	150 LBS	66.75 N
Max Power @ 10% Duty	1935 Watts	