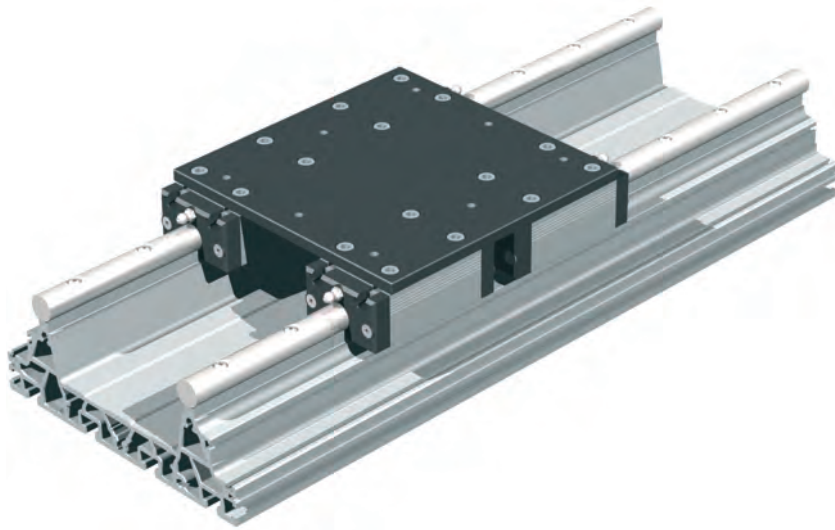


# Linear guide rail LFS-16-120



## Features

- W 190 x H 61 mm
- 2 precision steel shafts Ø 16
- Anti-twist
- Aluminium shaft housing profile naturally anodised
- Securing from below with M6 tapped rail in T-slot profile
- Conditionally self-supporting
- Any guide length
- Weight: 10.2 kg/m

## Ordering key

**220 008 XXXX**

Length in mm (in 100 mm raster)

e.g. **0029** = Length 298

**0299** = Length 2998

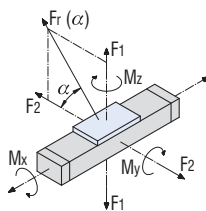
Profile length = Length overall L - 2 mm

Special lengths available on request!

## Load data

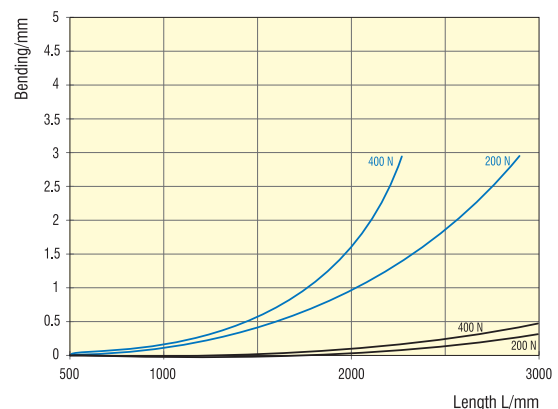
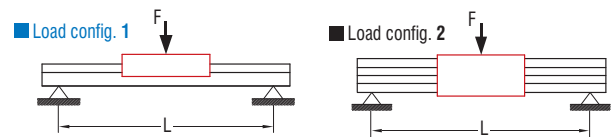
$$F_r(\alpha) = \frac{F_2}{\cos \alpha}$$

$$F_r(\alpha) = \frac{F_1}{\sin \alpha}$$



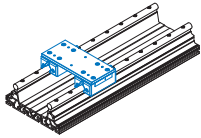
Einheit mit 2x IWS 1		Einheit mit 2x ILS 1		Einheit mit 4x IWS 1		Einheit mit 4x ILS 1	
C <sub>0</sub>	4929 N	C <sub>0</sub>	7598 N	C <sub>0</sub>	6572 N	C <sub>0</sub>	10130 N
C	2660 N	C	4857 N	C	3546 N	C	6476 N
F <sub>1 stat.</sub>	4209 N	F <sub>1 stat.</sub>	6488 N	F <sub>1 stat.</sub>	5612 N	F <sub>1 stat.</sub>	8650 N
F <sub>1 dyn.</sub>	2271 N	F <sub>1 dyn.</sub>	4148 N	F <sub>1 dyn.</sub>	3028 N	F <sub>1 dyn.</sub>	5530 N
F <sub>2 stat.</sub>	4929 N	F <sub>2 stat.</sub>	7598 N	F <sub>2 stat.</sub>	6572 N	F <sub>2 stat.</sub>	10130 N
F <sub>2 dyn.</sub>	2660 N	F <sub>2 dyn.</sub>	4857 N	F <sub>2 dyn.</sub>	3546 N	F <sub>2 dyn.</sub>	6476 N
M <sub>x stat.</sub>	253 Nm	M <sub>x stat.</sub>	389 Nm	M <sub>x stat.</sub>	337 Nm	M <sub>x stat.</sub>	519 Nm
M <sub>x dyn.</sub>	147 Nm	M <sub>x dyn.</sub>	195 Nm	M <sub>x dyn.</sub>	309 Nm	M <sub>x dyn.</sub>	476 Nm
M <sub>y stat.</sub>	173 Nm	M <sub>y stat.</sub>	228 Nm	M <sub>y stat.</sub>	361 Nm	M <sub>y stat.</sub>	557 Nm
M <sub>y dyn.</sub>	136 Nm	M <sub>y dyn.</sub>	249 Nm	M <sub>y dyn.</sub>	182 Nm	M <sub>y dyn.</sub>	332 Nm
M <sub>z stat.</sub>	79 Nm	M <sub>z stat.</sub>	124 Nm	M <sub>z stat.</sub>	167 Nm	M <sub>z stat.</sub>	304 Nm
M <sub>z dyn.</sub>	93 Nm	M <sub>z dyn.</sub>	146 Nm	M <sub>z dyn.</sub>	195 Nm	M <sub>z dyn.</sub>	356 Nm

## Bending



# Linear guide rail LFS-16-120

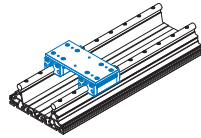
**Slide unit with 2 × steel slides ILS 1 (kit)**



- L 84 x W 178 x H 8 mm
- Ground steel plate
- 2 x ILS 1, central lubrication option
- Adjustable for no play
- Total weight: 2.30 kg

Part no.: **223240 0009**

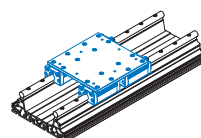
**Slide unit with 2 × aluminium slides IWS 1 (kit)**



- L 84 x W 178 x H 8 mm
- Ground steel plate
- 2 × IWS 1, central lubrication option
- Adjustable for no play
- Total weight: 1.50 kg

Part no.: **223240 0007**

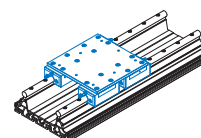
**Slide unit with 4 × aluminium slides IWS 1 (kit)**



- L 180 x W 178 x H 8 mm
- Ground steel plate
- 4 x IWS 1, central lubrication option
- Adjustable for no play

Part no.: **223240 0008**

**Slide unit with 4 × steel slides ILS 1 (kit)**

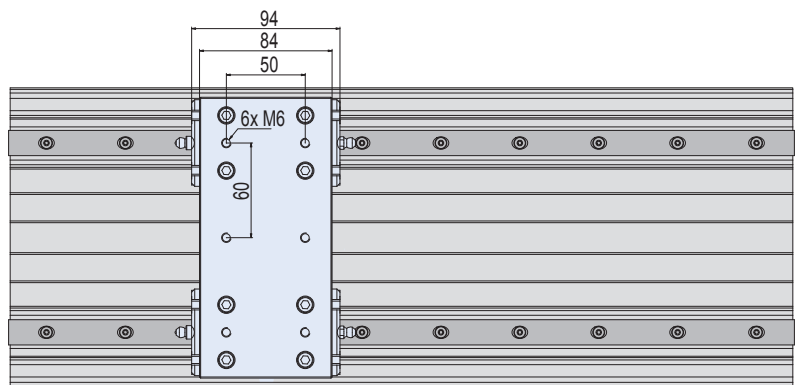
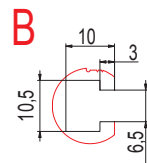
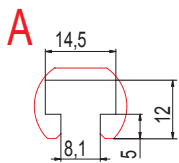
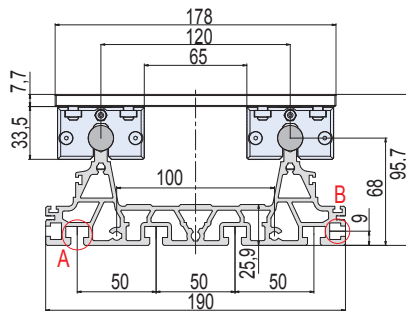


- L 180 x W 178 x H 8 mm
- ground steel plate
- 4 x ILS 1, central lubrication option
- Adjustable for no play

Part no.: **223240 0010**

## Dimensioned drawings

Aluminium slides IWS 1



Steel slides ILS 1

