

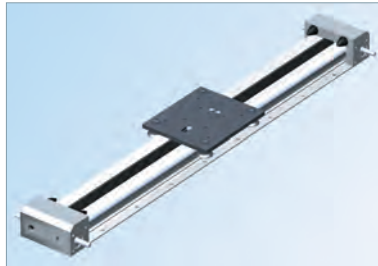
Linear units with toothed belt drive

LEZ 2

Guides
and shaft slides
also available in a stain-
less version



with shaft slide



with trolley

Features

- Aluminium profile with miniature linear guide LFS-8-5
- No-play feed with toothed belt drive - toothed belt with 5 mm interval, width 25 mm
- Max. feed. 5 m/s
- Shaft slides WS 3, L 176 × W 130 mm
- Feed per turn: 70 mm
- Repeat accuracy less than or equal to ± 0.2 mm
- available in lengths up to 6,000 mm

Accessories can be found on pages 2-92

Options:

- Special 100 mm raster lengths available to order, max. 6000 mm
- Also as direct drive with
 - stepper motor
 - Servomotor
- Overrun limit switch with lead (only integrated in conjunction with drive module)

Ordering key

232 002 XXXX

Profile lengths (mm)

696, 996, 1496, 1996,
2496, 2996

(e. g. 696 mm = 070
1496 mm = 150)

Option: up to 6000 mm

Drives/Slides, Trolley

8 = without motor, with shaft slides

9 = without motor, with trolley

Technical specification

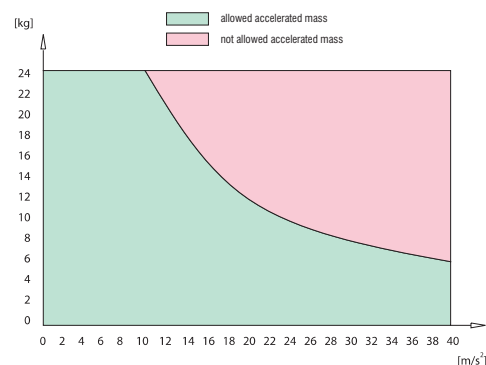
Belt type.....	HTD 5M, width 25 mm
Slide weight.....	0,940 kg
Weight without drive module.....	1000 mm ≅ 7.9 kg
specific weight of the toothed belt.....	0.09 kg/m
Roller carriage weight.....	2.03 kg
specific guide weight.....	0.472 kg/100 mm
Effective diameter of the synchronous disks.....	∅ 22.28 mm
Moment of inertia of the synchronous disks.....	5.58·10 ⁻⁶ kgm ²
Feed per turn.....	70 mm

Linear guide rail LFS-8-5

Moment of inertia I _x	137,48 cm ⁴
Moment of inertia I _y	27,98 cm ⁴
Resistance torque W _x	23,91 cm ³
Resistance torque W _y	13,09 cm ³

Load diagram

Permitted accelerated weights relative to the belt strength.*



* with vertical construction, the acceleration due to gravity (g = 9.81 m/s²) must be taken into account

Drive module
with servo motor
EC 60 L



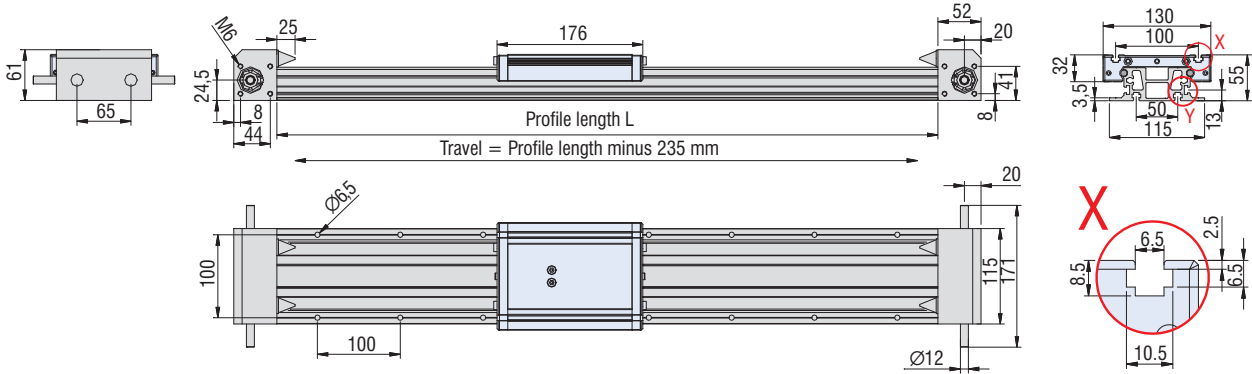
Linear units

with toothed belt drive

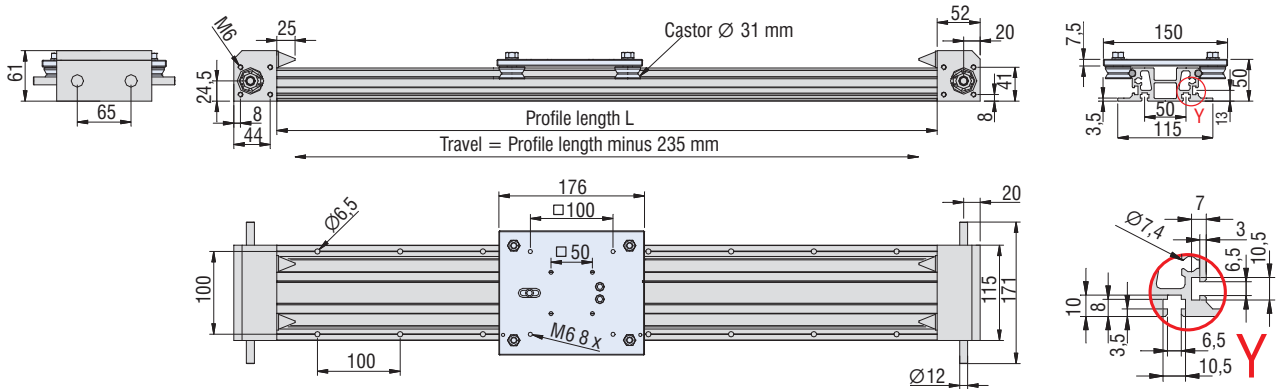
LEZ 2

Dimensioned drawings

without motor, with shaft slides



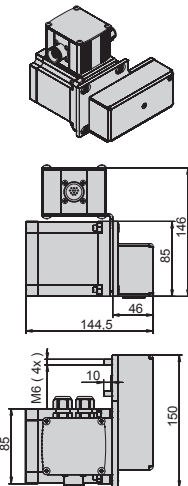
without motor, with trolley



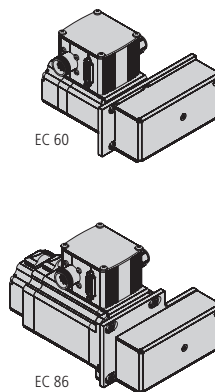
Motor modules (Motor pin assignments are on Page 2-70)

Drive module with stepper motor
MS-600 HT (reduction 2:1)
Feed: 35 mm / turn

Part no.: **396086 3060**



Drive module with EC servomotors
(Reduction 2:1)
Feed: 35 mm / turn



Part number	Motor module	Length L
396 415 3260	EC 60S with brake	151.5 mm
396 415 3060	EC 60S without brake	198.5 mm
396 423 3060	EC 60L	186.5 mm
396 444 3070	EC 86S	177.5 mm
396 466 3070	EC 86L	202.5 mm

