

# Linear units with toothed belt drive

## LEZ 3

Guides  
and shaft slides  
also available stainless.



with shaft slide



with trolley

### Features

- Aluminium profile, miniature linear guide LFS-8-4
- No-play feed with toothed belt drive, toothed belt with 5 mm interval, width 25 mm
- Max. feed. 5 m/s
- Shaft slides WS3, L176 × W130 mm
- Feed per turn: 70 mm or 150 mm
- Repeat accuracy less than or equal to ± 0.2 mm
- Limit or reference switch accuracy < 0.1 mm
- Available in lengths up to 6,000 mm
- Motor modules can be flange-mounted on left or right side

Accessories can be found on page 2-92.

### Options:

- Special 100 mm raster lengths available to order, max. 6000 mm

### Ordering key

23200X XXXX

#### Profile lengths (mm)

698, 998, 1498, 1998, 2498, 2998

(e. g. 698 mm = 070  
1498 mm = 150)

#### Feed

6 = 150 mm / turn

7 = 70 mm / turn

#### Slides, trolley

0 = with shaft slides

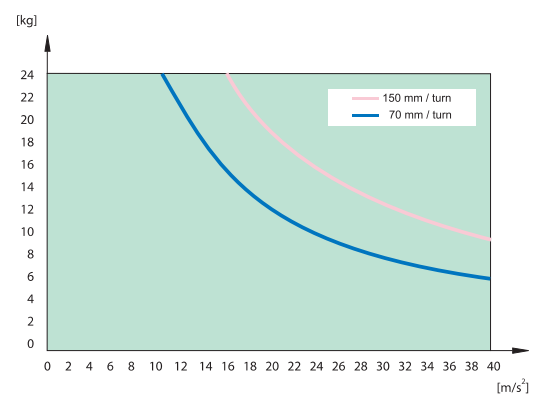
1 = with trolley

### Technical specification

Belt type.....	HTD 5M, width 25 mm
Slide weight.....	0.940 kg
Weight without drive module.....	1000 mm $\hat{=}$ 10.5 kg
specific weight of the toothed belt.....	0.09 kg/m
Roller carriage weight.....	2.03 kg
specific guide weight.....	0.648 kg/100 mm
Feed per turn.....	70 mm or 150 mm
Effective diameter of the synchronous disks	
Feed 70 mm/turn.....	22.28 mm
Feed 150 mm/turn.....	47.75 mm
Moment of inertia of the synchronous disks	
Feed 70 mm/turn.....	5.58E-6 kgm <sup>2</sup>
Feed 150 mm/turn.....	1,796.10 <sup>-4</sup> kgm <sup>2</sup>

### Load diagram

Permitted accelerated weights relative to the belt strength.\*



\* with vertical construction, the acceleration due to gravity (g=9.81 m/s<sup>2</sup>) must be considered

Bending data can be found on page 2-27.

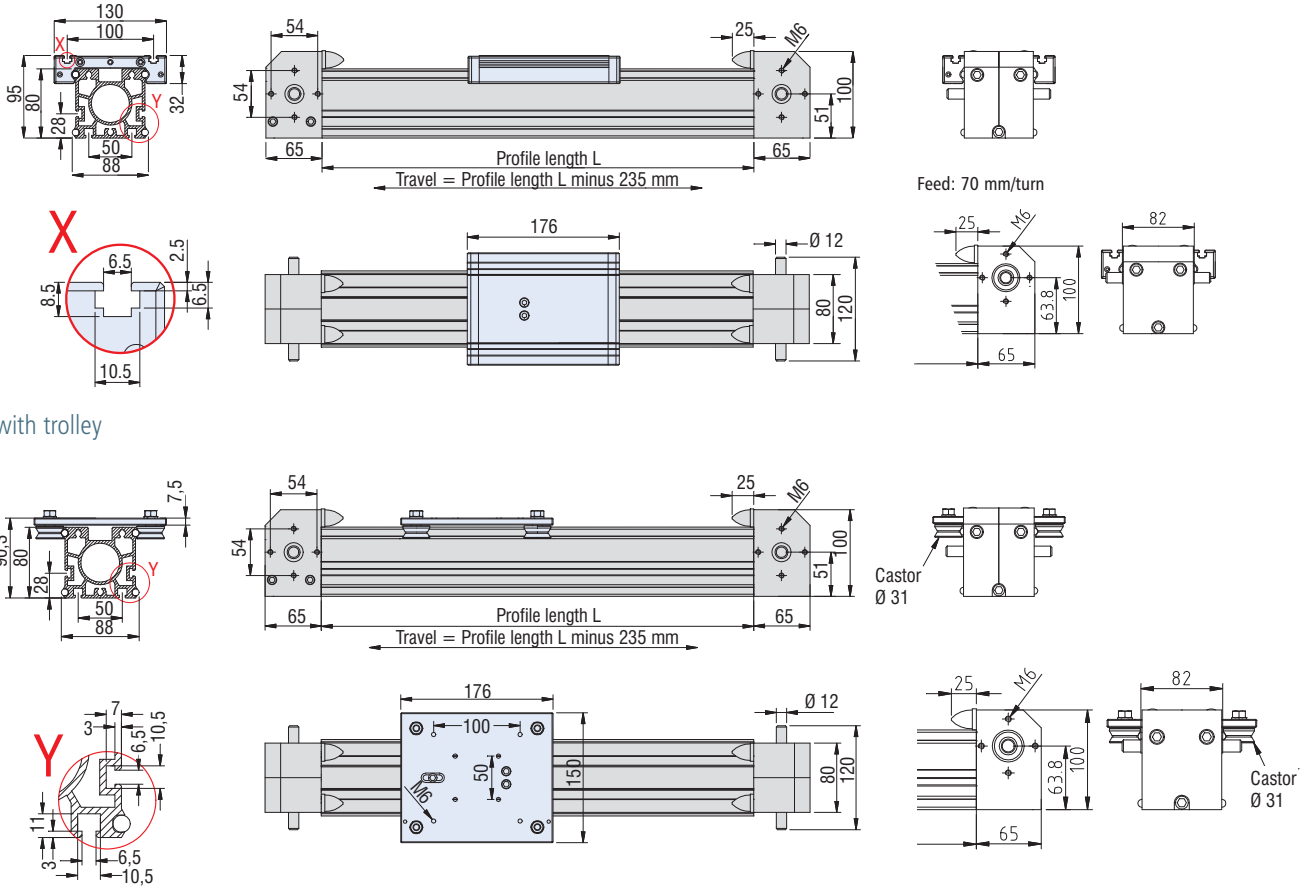
# Linear units

with toothed belt drive

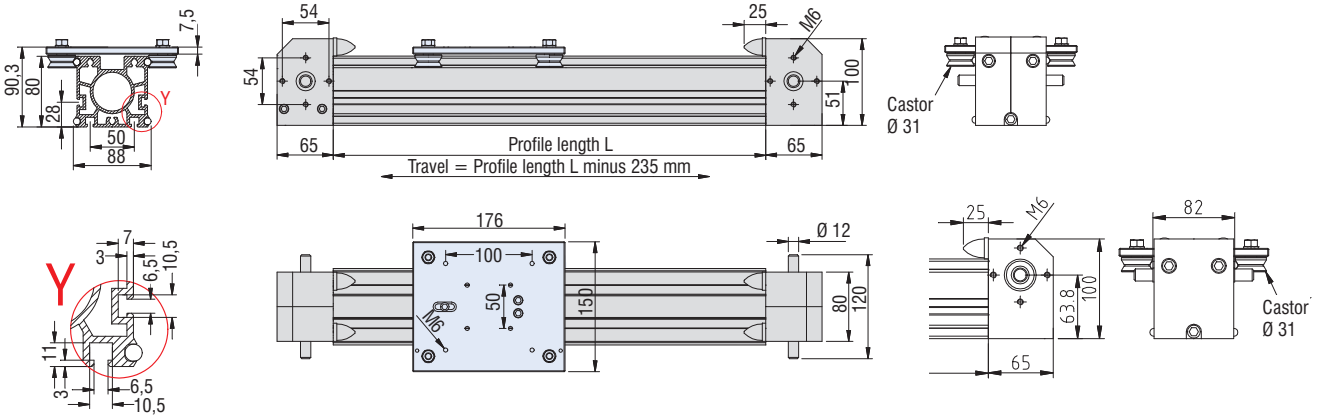
## LEZ 3

### Dimensioned drawings

with shaft slides



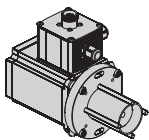
with trolley



### Motor modules

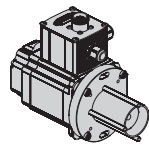
(Motor pin assignments are on Page 2-72)

Drive module with stepper motor  
(direct drive)



Part number	Motor module	
396 085 0060	MS 600 HT	right
396 085 0061	MS 600 HT	left
396 088 0060	MS 900 HT	right
396 088 0061	MS 900 HT	left

Drive module with EC servomotor  
EC 60 and EC 86 (direct drive)



Part number	Motor module
396 423 006012	EC 60L
396 444 0070	EC 86S
396 466 0070	EC 86L

